

Honeywell Black™

CAIPDC210T-4/6/8

Honeywell

www.black.honeywell.com

High Definition 2 Megapixel TDN IP Dome Camera

Honeywell Black™ CAIPDC210T is a superior 2 Megapixel IP dome camera designed for advanced security applications that require ultra high image quality at minimal costs.

Available in 4mm / 6mm / 8mm fixed lens, the CAIPDC210T delivers high definition images in 2 Megapixel (1600H x 1200V) resolution. It is equipped with True Day/Night with a mechanical IR-cut filter which guarantees superior image quality at both day and night time.

By applying the H.264 video compression technology, the CAIPDC210T streams high quality images at optimized bandwidth to reduce data volume effectively to save storage space. It also supports the ONVIF specification for high interoperability between network video products.

Power over Ethernet (PoE) option is available (CAIPDC210T-4P/6P/8P). Power can be supplied via the network by using the standard Ethernet cable. It increases installation flexibility, reduces installation time and costs, and eliminates the need for complicated wiring.

The CAIPDC210T is compatible with Honeywell Black's CMS integrated network surveillance solution CAIPC-CMS100 which effectively controls video management, user management, storage, streaming data transmission, video output etc to develop a high performance system.

Market Opportunities

Featuring 2 Megapixel resolution, H.264 video compression, PoE and ONVIF interface, the CAIPDC210T IP camera optimizes performance for applications that require excellent image clarity and high-definition imaging at minimal bandwidth. Also with quick installation and True Day/Night features, the CAIPDC210T camera provides optimum performance for medium-scale indoor and outdoor applications.

FEATURES

- 2 Megapixel (1600H x 1200V)
- High-profile H.264 Compression format, support multiple video stream simultaneously
- True Day/Night – IR-CUT removable
- Motion detection, Privacy Masking, Reset
- Alarm I/O, RS485 interface
- Support local storage for SD card
- Local analog output for easy setup
- Built-in high definition fixed lens – 4mm / 6mm / 8mm available
- 12 VDC/24 VAC or PoE (CAIPDC210T-4P/6P/8P only)
- ONVIF compliant



Honeywell Black™

CAIPDC210T-4/6/8

www.black.honeywell.com

High Definition 2 Megapixel TDN IP Dome Camera

SPECIFICATIONS

Model	CAIPDC210T-4/6/8	CAIPDC210T-4P/6P/8P
Operation		
Image Sensor	2 Megapixel, 1/3" CMOS Image Sensor	
Effective Pixels	1600 (H) x 1200 (V)	
Minimum Illumination	Color: 0.5Lux @ F1.2, AGC ON B/W: 0.08Lux @ F1.2, AGC ON	
Day/Night	TDN, IR cut removable	
Lens	CAIPDC210T-4/4P: 4mm CAIPDC210T-6/6P: 6mm CAIPDC210T-8/8P: 8mm	
Shutter Speed	1/25 - 1/10,000 Sec	
Digital Noise Reduction	ON/OFF	
Sync System	Internal	
Auto Gain Control	ON/OFF	
White Balance	AWB	
BLC	ON/OFF	
Image Set	Saturation, Brightness, Sharpness and Contrast setup is quick and easy and can be customized through IE Browser	
OSD Overlay	Name / date / position adjustable	
IP Specification		
Video Compression	H.264, MJPEG, Multiple video streams	
Image Resolution	PAL: 12.5fps (1600x1200),25fps (1280x720) NTSC: 15fps (1600x1200),30fps (1280x720)	
Bit Rate	32K - 8Mbps	
Network Interface Protocol	ONVIF	
Ethernet	10/100Mbps self-adaptive Ethernet interface	
Supported Protocol	TCP/IP, UDP, RTP/RTCP, RTSP, HTTP, SMTP, DNS, DDNS, DHCP, FTP, NTP, PPPOE, UPNP (SNMP, HTTPS, SIP optional)	
Audio Compression	G.711	
Audio Compression Rate	64Kbps	
Audio Input	Mic/Line in, bi-directional audio, frequency responsibility: 50 - 16000Hz, S/N>60dB	
Audio Output	Line out PWL Resistance: 600Ω	
Local Storage	SD card	
SD card Storage	Support max 32GB	

Honeywell Black™

Honeywell

CAIPDC210T-4/6/8

www.black.honeywell.com

High Definition 2 Megapixel TDN IP Dome Camera

Model	CAIPDC210T-4/6/8	CAIPDC210T-4P/6P/8P
Alarm and Event		
Alarm Trigger	Intelligent video motion detection, video shelter and external input	
Motion Detection	12 zones	
Alarm Event	Event server: FTP server, SMTP server, web browser	
Privacy Masking	3 zones	
Electrical		
Power Supply	12VDC & 24VAC	
Power over Ethernet (PoE)	N/A	IEEE 802.3af
Power Consumption	4W (excluding external loading)	
Mechanical		
Dimensions	Ø145mm X 110.5mm(H)	
Weight	487g	
Connector	RS485	
Environmental		
Operating Temperature	-10°C to +55°C	
Operating Humidity	0% to 90% relative humidity	
Storage Temperature	-20°C to +60°C	
Viewing System		
Browser	IE 6.0 or above	
Software		
Search and Installation	IP Finder	
CMS	Honeywell Black™ CAIPC-CMS100	
Regulatory		
Certification	CE, C-tick	

*Note: Honeywell reserves the right, without notification, to make changes in product design or specifications.

Honeywell Black™

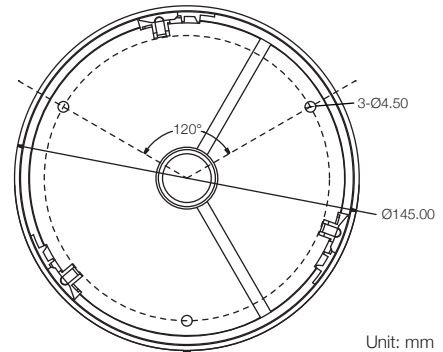
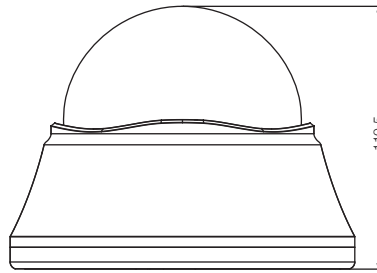
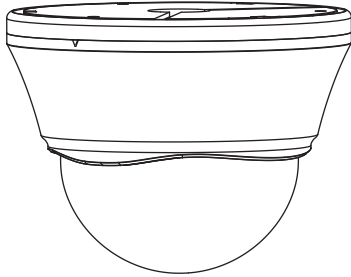
Honeywell

CAIPDC210T-4/6/8

www.black.honeywell.com

High Definition 2 Megapixel TDN IP Dome Camera

DIMENSIONS



Unit: mm

ORDERING

CAIPDC210T- 4	2 Megapixel, CMOS Image Sensor, 720P, 30fps, Built-in fixed lens (4mm), TDN, 24VAC & 12VDC
CAIPDC210T- 6	2 Megapixel, CMOS Image Sensor, 720P, 30fps, Built-in fixed lens (6mm), TDN, 24VAC & 12VDC
CAIPDC210T- 8	2 Megapixel, CMOS Image Sensor, 720P, 30fps, Built-in fixed lens (8mm), TDN, 24VAC & 12VDC
CAIPDC210T- 4P	2 Megapixel, CMOS Image Sensor, 720P, 30fps, Built-in fixed lens (4mm), TDN, 24VAC & 12VDC or PoE IEEE 802.3af
CAIPDC210T- 6P	2 Megapixel, CMOS Image Sensor, 720P, 30fps, Built-in fixed lens (6mm), TDN, 24VAC & 12VDC or PoE IEEE 802.3af
CAIPDC210T- 8P	2 Megapixel, CMOS Image Sensor, 720P, 30fps, Built-in fixed lens (8mm), TDN, 24VAC & 12VDC or PoE IEEE 802.3af

For more information:

Security East Asia
Security Pacific
Security India
Security Middle East & N.Africa
Security Russia
Security China
Security Korea

Tel: (852) 2405 2323
Tel: 1300 234 234
Tel: (91) 124 4975000
Tel: (971) 4454 1704
Tel: (7) 495 7979371
Tel: (86) 400 8800 330
Tel: (82) 2799 6114

www.black.honeywell.com
security.black@honeywell.com

Honeywell Security Group
Automation & Control Solutions
Honeywell International Inc.
www.security.honeywell.com



July 2014
© 2014 Honeywell International Inc.