

DHI-ARC2008C/2016C(-G)

Network Alarm Host

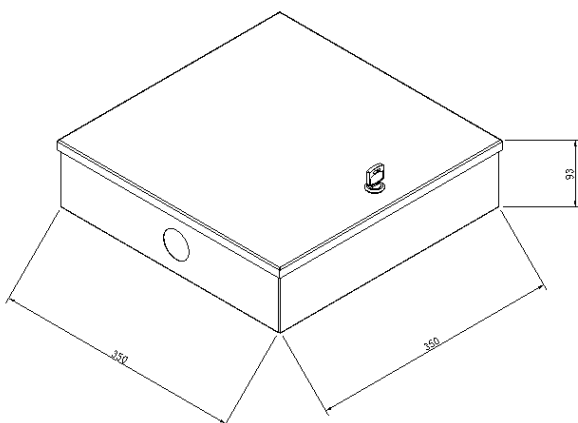
Technical Specifications



Features

- 8/16 channel local alarm input, 4 channel alarm output
- Alarm input and output expansion module, max expand 48x
- 8-ch alarm keyboard input
- Wireless remote control to arm/disarm
- Reliable power switch, compatible with storage battery
- Mobile alarm arming/disarming
- RS485 control function, support PSTN, IP to upload alarm signal
- 2G network alarm function (-G model)

Dimension



Model	DHI-ARC2008C (-G)	DHI-ARC2016C(-G)
Alarm Input	8-ch local alarm input	16-ch local alarm input
Alarm Output	4-ch local dry node alarm output	
PSTN Alarm	Support	
GPRS	-G model support	
Tamper Alarm	1 anti-tamper alarm	
RS485	2-ch, support alarm expansion and alarm keyboard	
Cable Network	1-ch 10/100M Ethernet, RJ45	
Battery Supply	12V 7A	
Supply	100-240VAC 47-63 HZ	
Power	<10W	
Working environment	Working Temperature-10°C~+55°C	
Overall dimensions	350×350×95mm	
Weight	<3.5Kg	
Installation	Wall mounting	